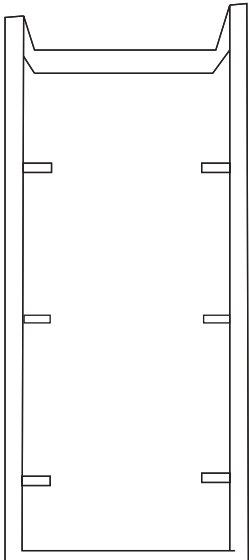

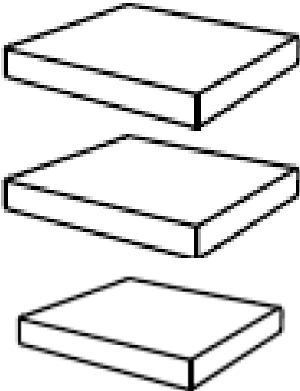

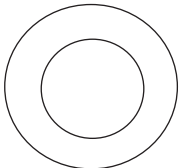


Article Number: 2582/15

	 X 1	
	 X 6	
	 X 6	

