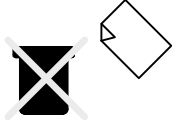


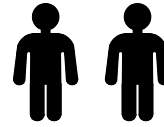
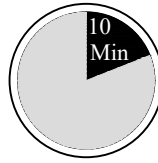
HINTS & TIPS



Assembly Instruction

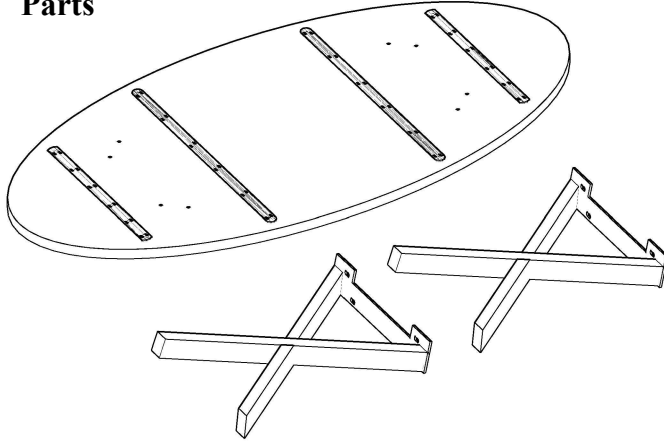


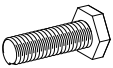


Please retain this assembly instruction for future use.



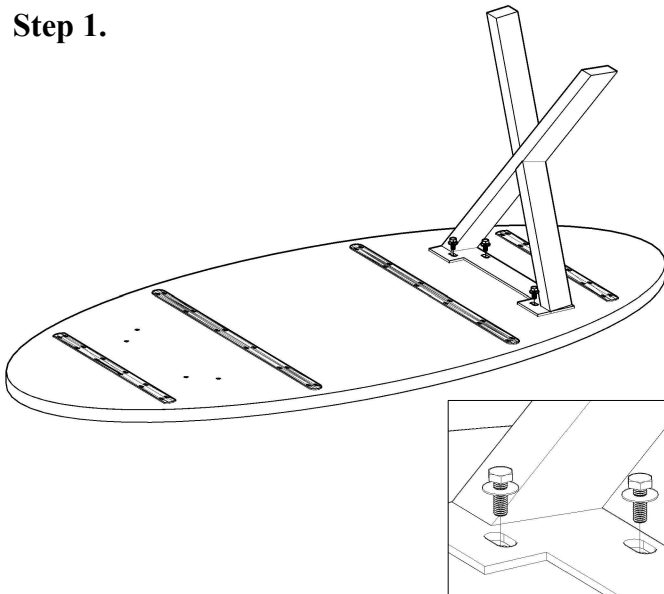
This assembly requires two people

Parts

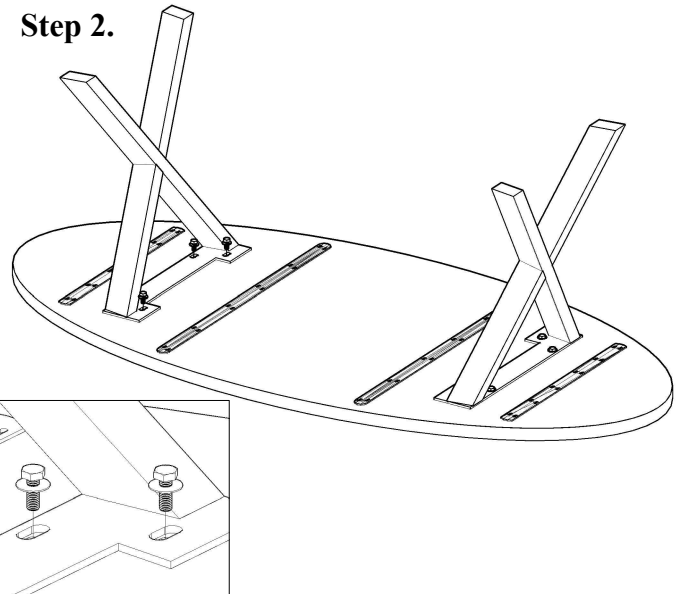


Code	Description	Qty
1	 Bolt	08
2	 Flat Washer 8mm	08
3	 Spanner	01

Step 1.



Step 2.



Finish.

