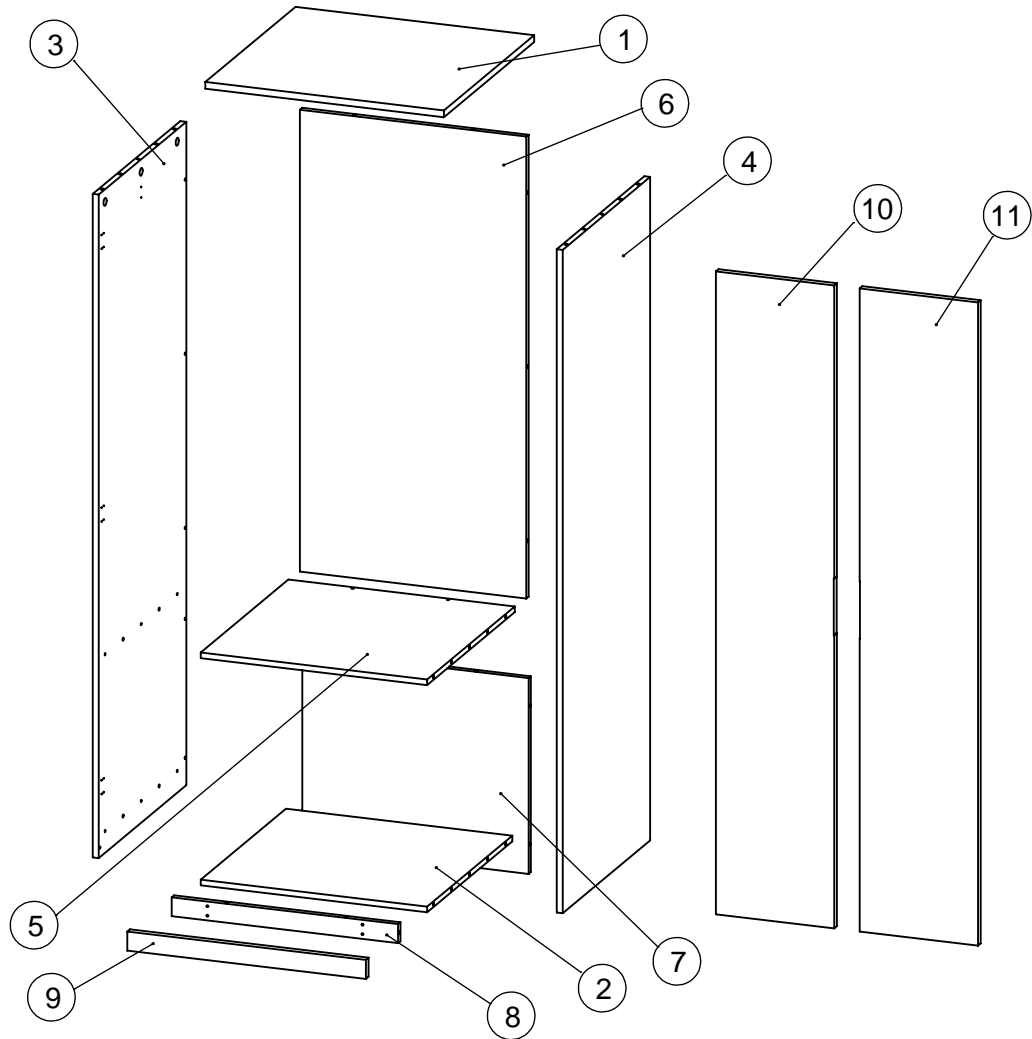
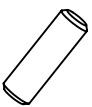


Assembly Instruction

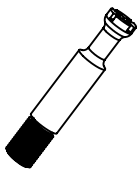
30072-102



AX12



BX40



CX2



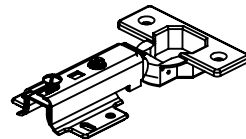
DX2



E X40



F X6



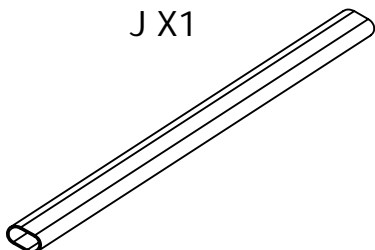
GX53



HX4



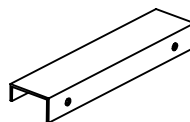
J X1



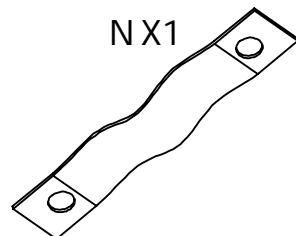
KX2



L X2



NX1



PX1



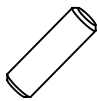
Assembly Instruction

30072-102

1.

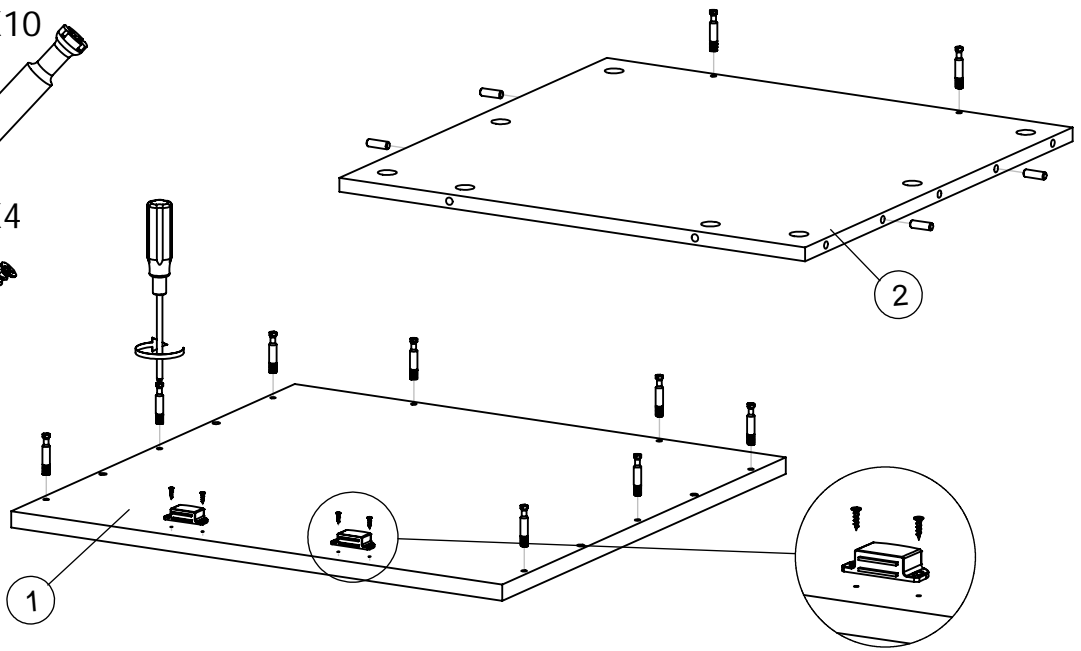
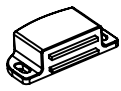
AX4

BX10



CX2

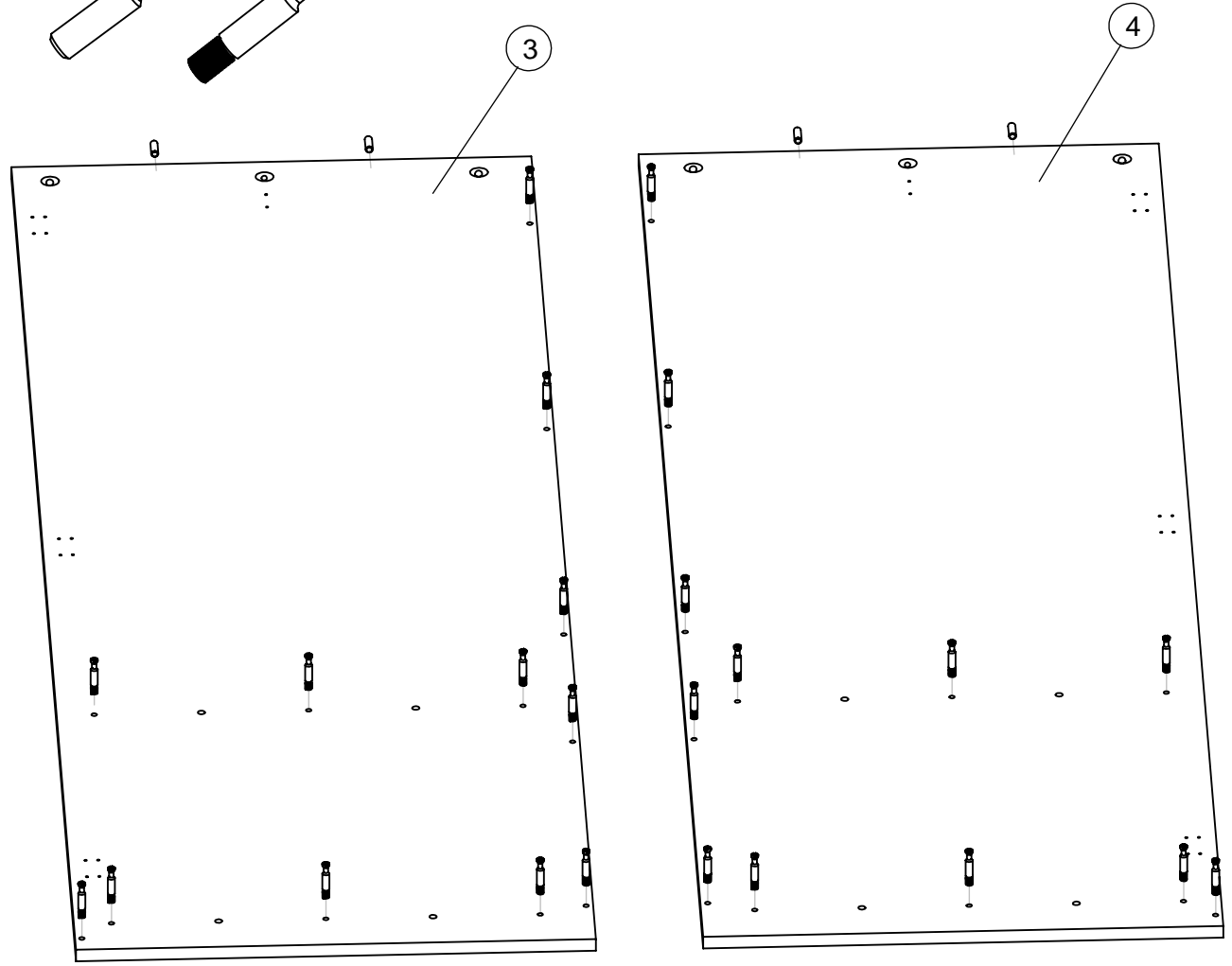
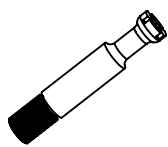
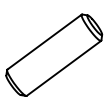
GX4



2.

AX4

BX24



Assembly Instruction

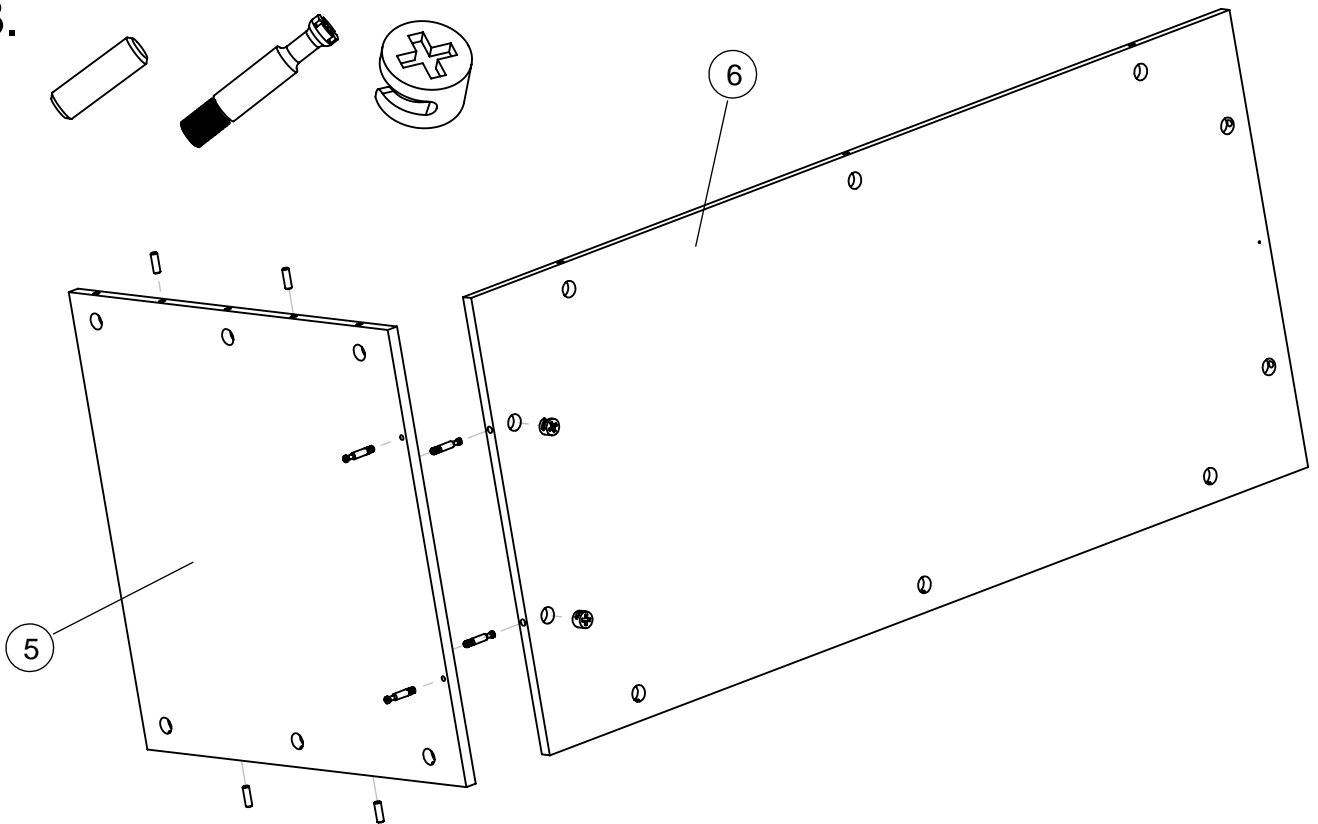
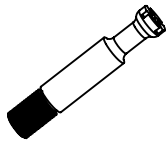
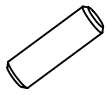
30072-102

3.

AX4

BX4

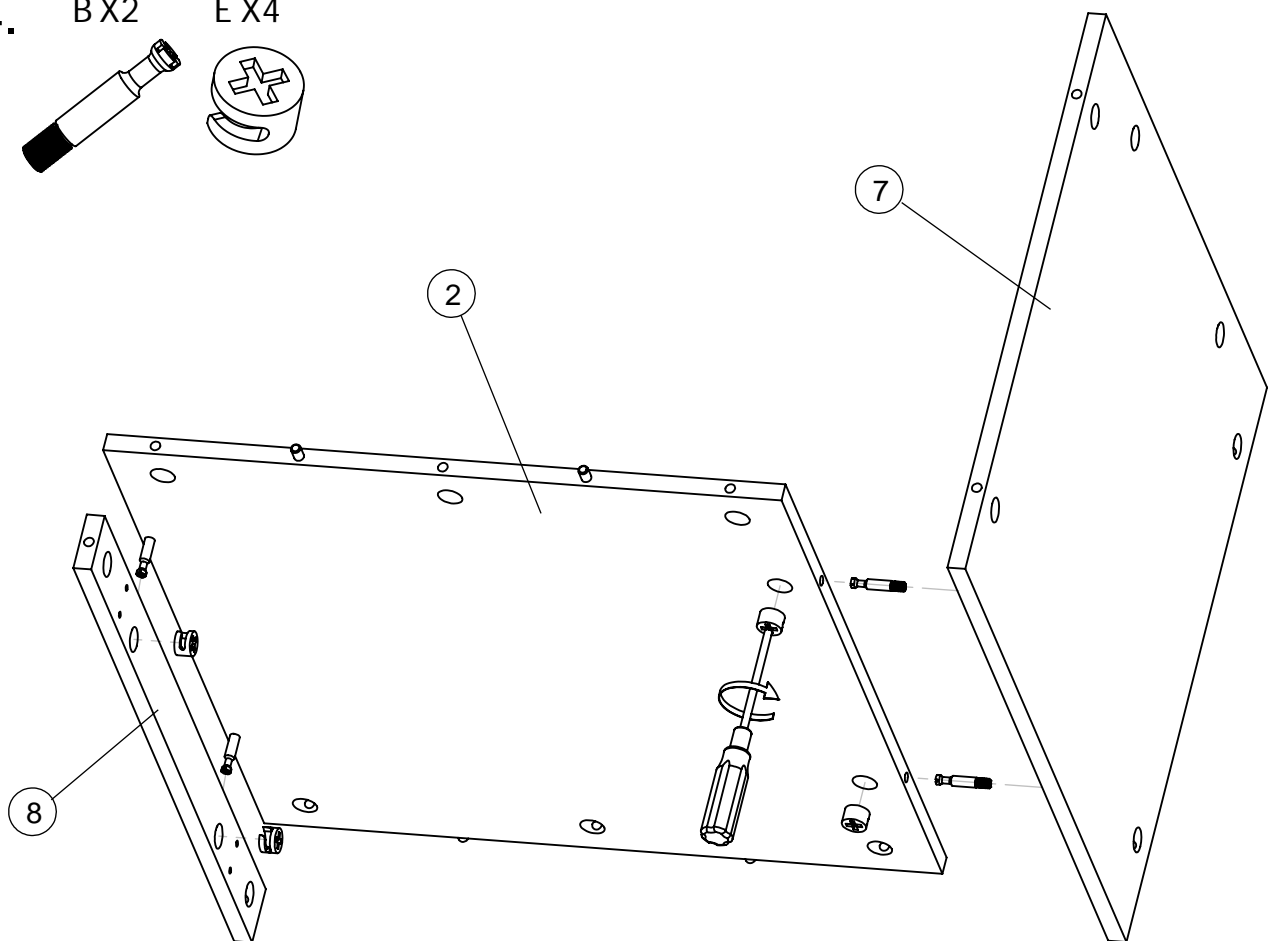
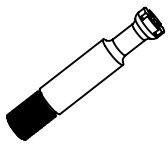
EX2



4.

BX2

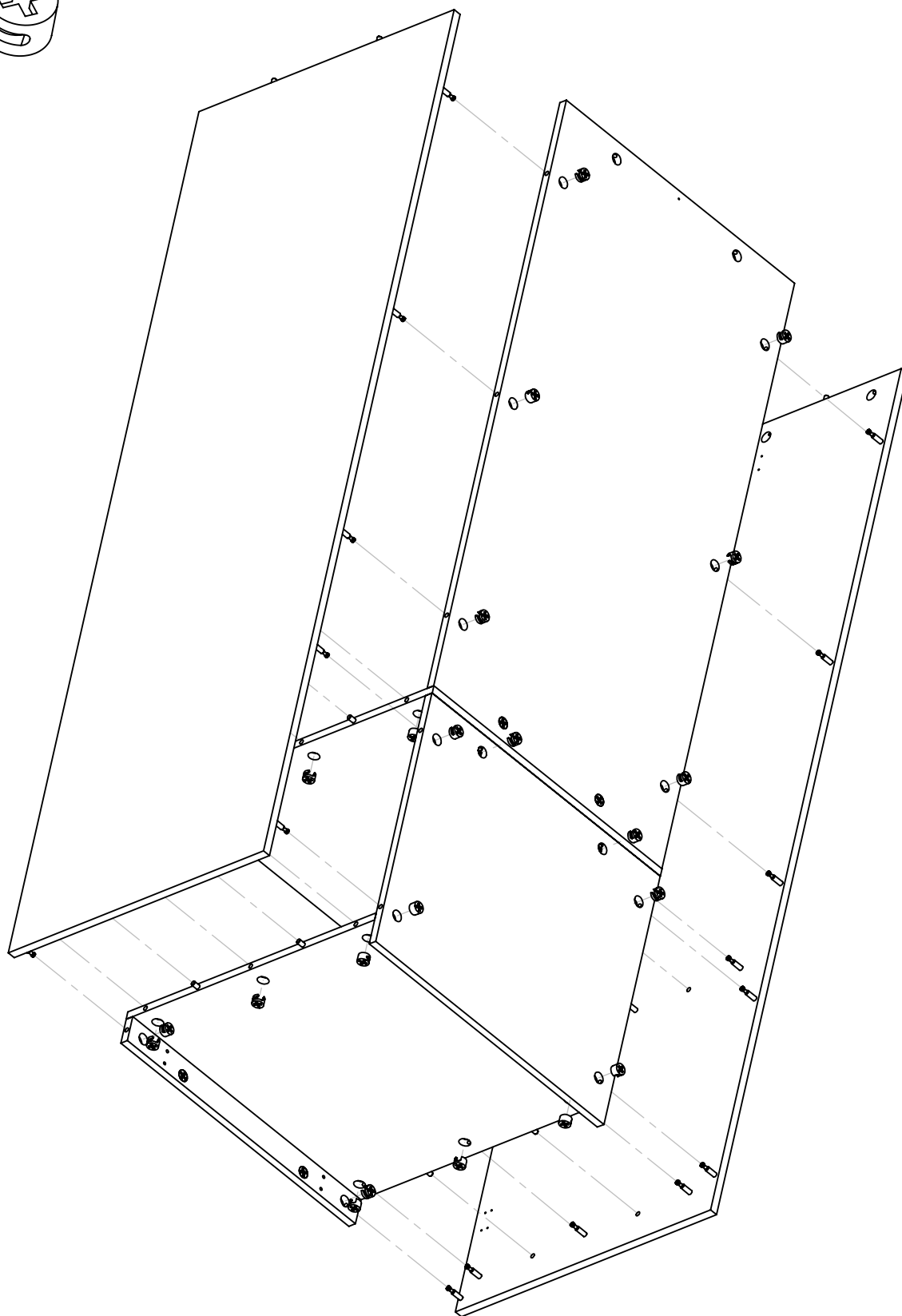
EX4



Assembly Instruction

30072-102

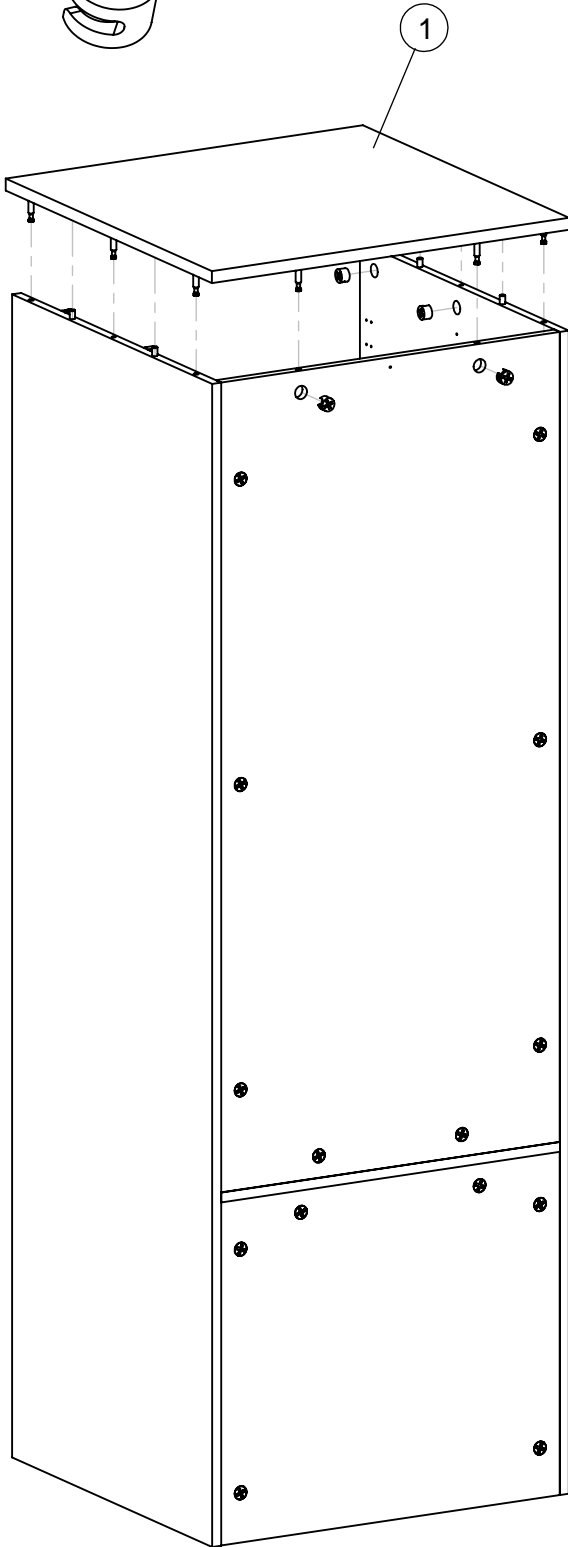
5. EX26



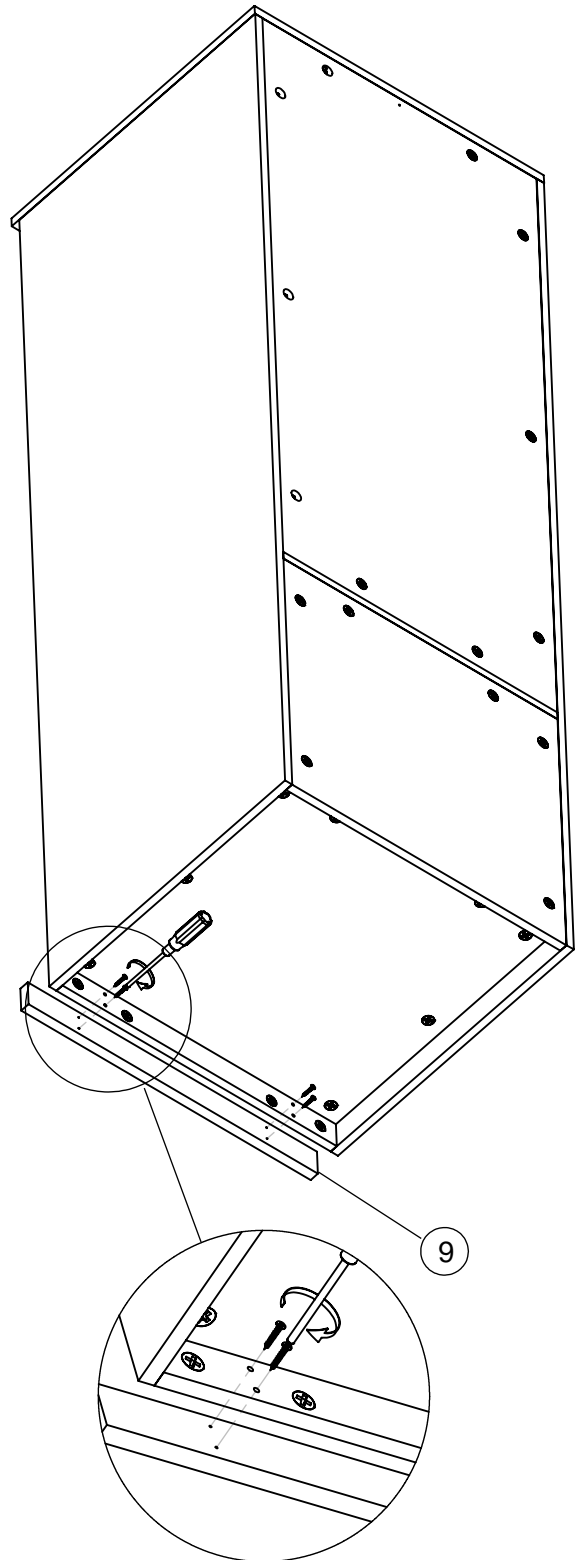
Assembly Instruction

30072-102

6. EX8

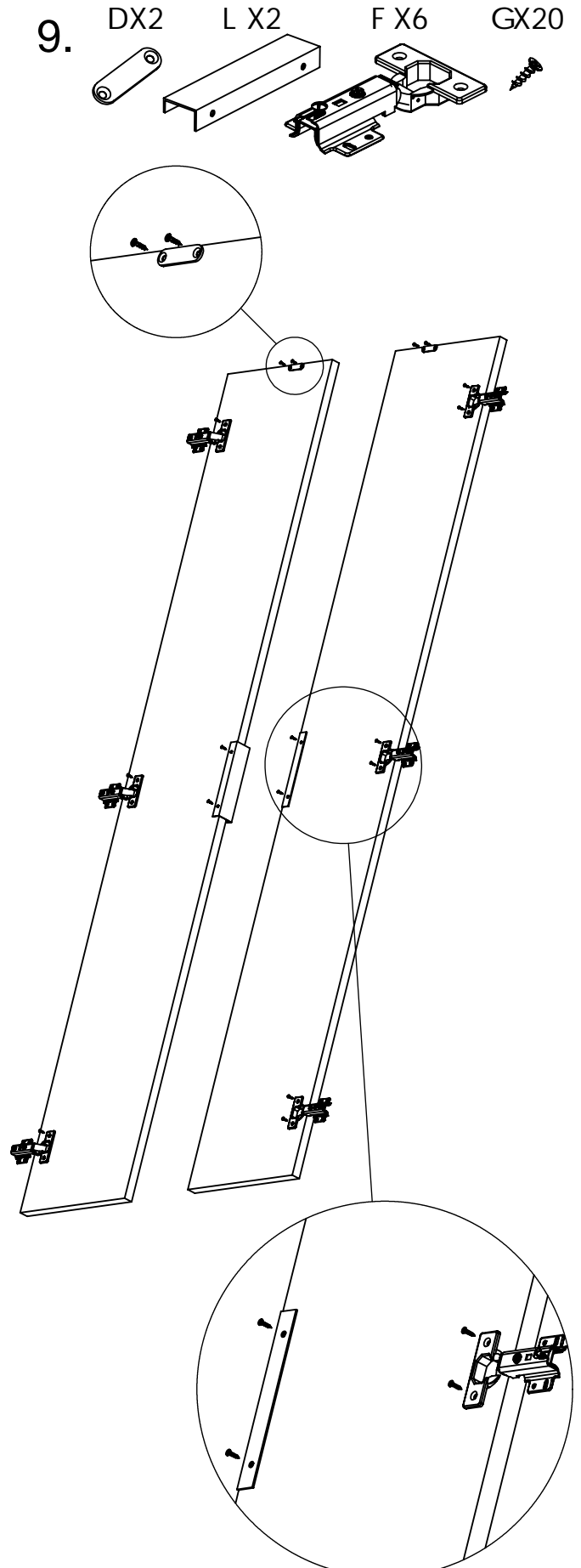
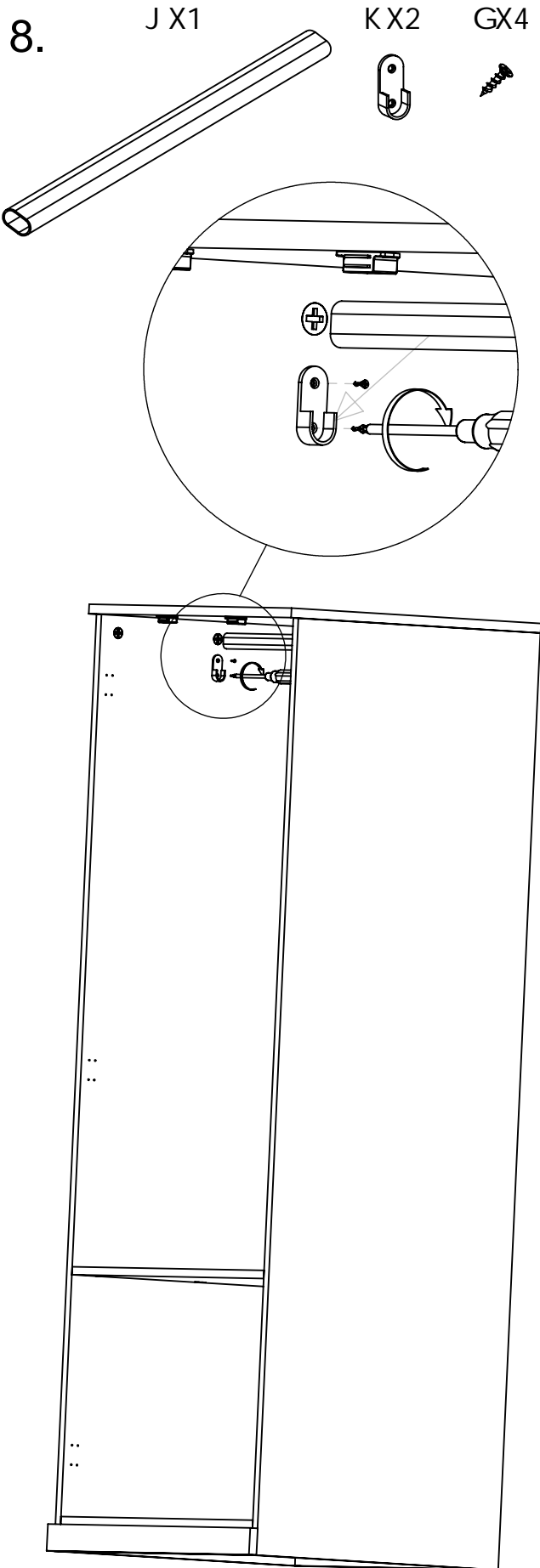


7. HX4



Assembly Instruction

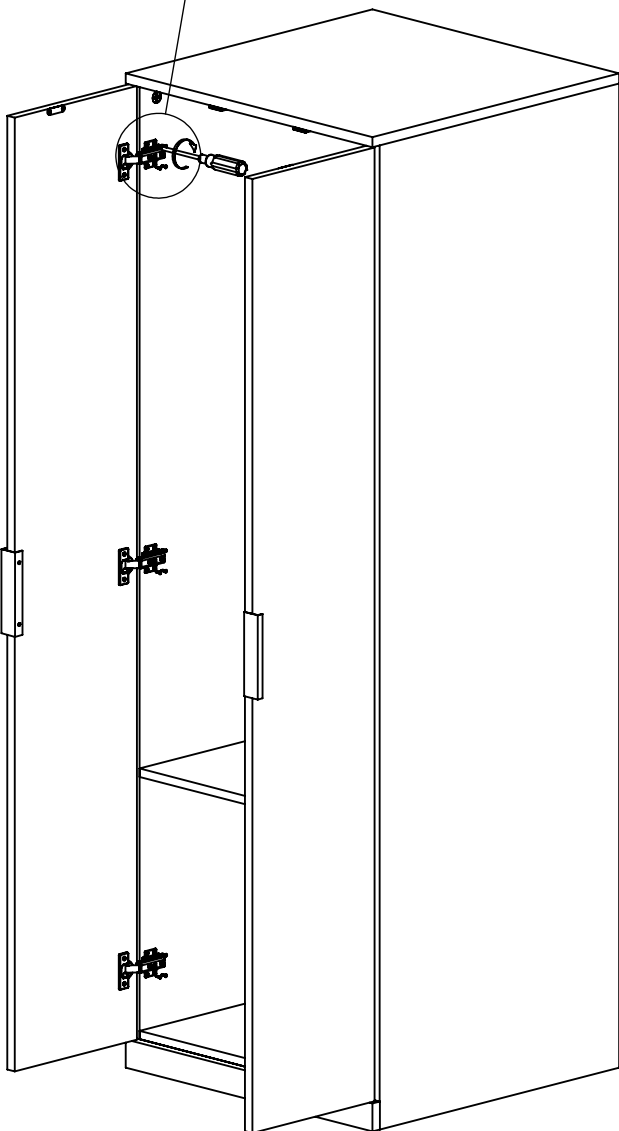
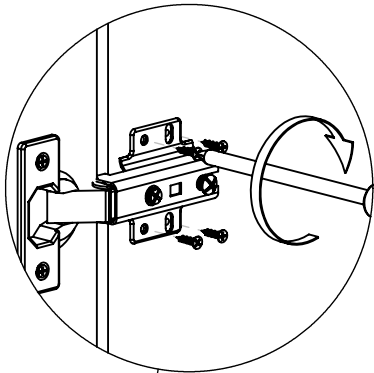
30072-102



Assembly Instruction

30072-102

10. GX24

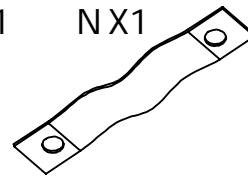


11.

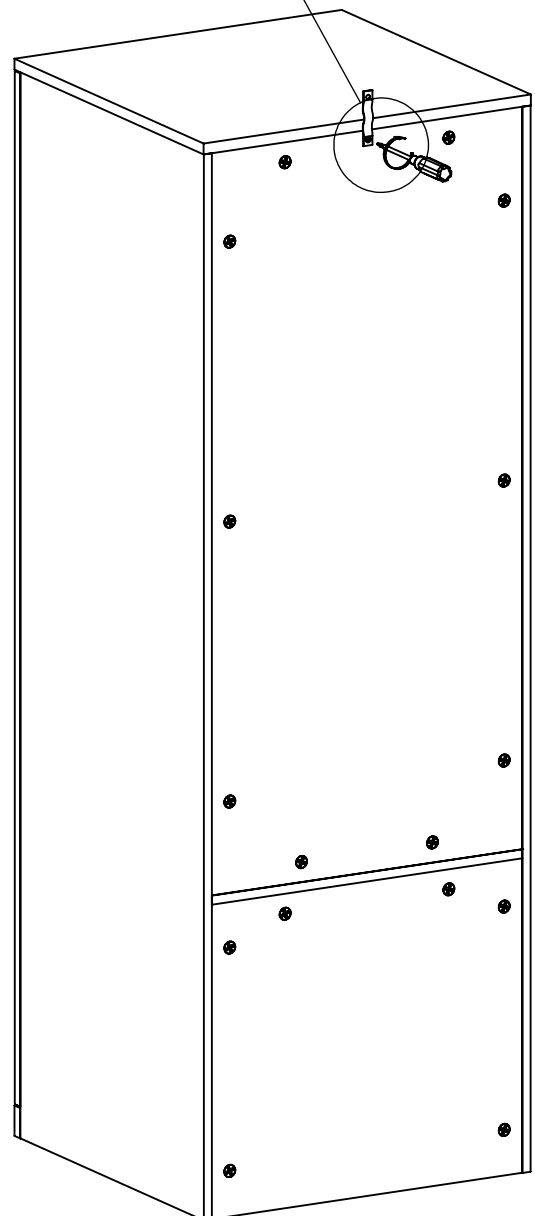
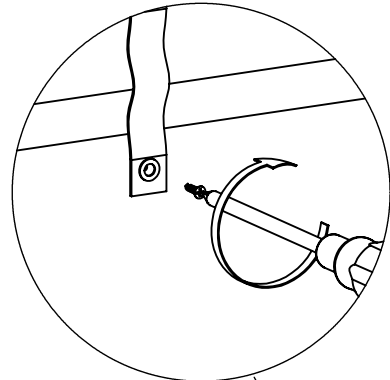
GX1



NX1



PX1



Assembly Instruction

30072-102

